

H-BLACK MR4 E-BIKE 6-12V



HERRMANS® H-Black MR4 is yet another of our front lights that combines sophisticated technology and modern design. The front lights in the H-Black series are already well-known for their harmonious design and smooth integration of electronic and optical elements. The H-Black MR4 uses a mirror reflector, giving off a light output up to 100/120 lumens. The most affordable light in the series, this front light is available for both e-bikes and dynamos. The dynamo version is available with both on or off stand light. The H-Black MR4 has 12 different assembly options, ensuring easy mounting on all kinds of bikes.

Not all products are available in all markets. During continuous improvement specifications and design are changing. All values are nominal values. Illustrations do not necessarily show the design of every version and some features are version specific.

TECHNICAL DATA

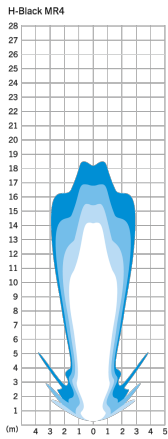
Operational Lumens Output	120 lm	Operating modes	On
Power Source	E-bike	Mounting Options	Fork / Handlebar
Nominal Voltage DC	6 - 12 V	Housing	Plastic
Power Consumption	1.9 W	Salt Spray Test	ISO 9227 NSS 240H
Max Peak Current	350 mA	Type approval (light)	Germany (StVZO), France (TP LBi)
Input connector type	0,5 x 2,8mm cable shoes	Type approval (reflector)	E-IA, K
Number of LED's	1	EMC	EN 15194
Colour Temperature	5000 K	Packaging Amount	72 pce/box, Approx. 6 kg total.
Optical System	Mirror		

KEY FEATURES

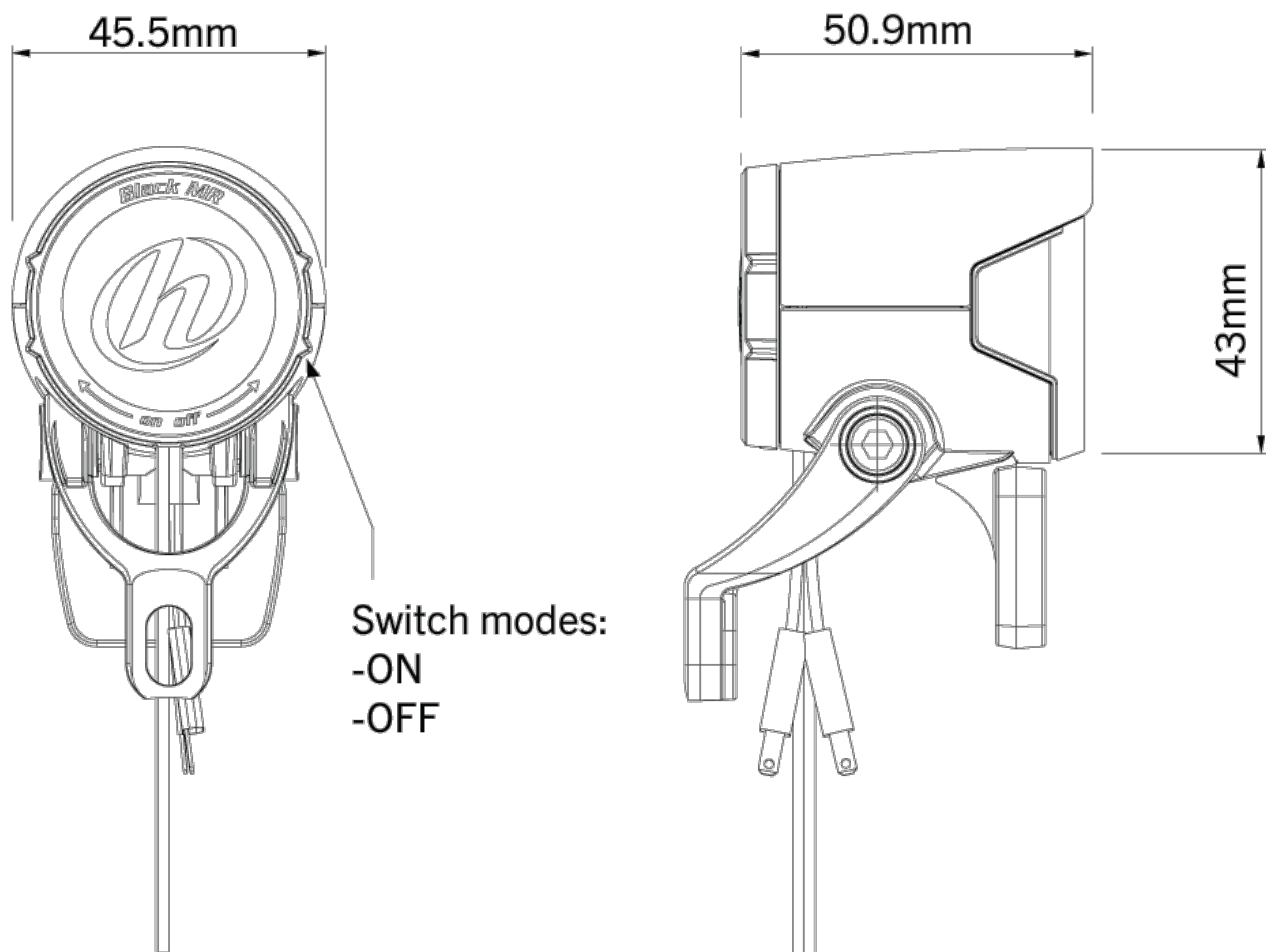
- Side windows for visibility
- Affordable high quality light

- Click-in EIA, K Front reflector included

LIGHT PATTERNS



DRAWINGS



ASSEMBLY OPTIONS

Stem bracket



Multi-joint bracket



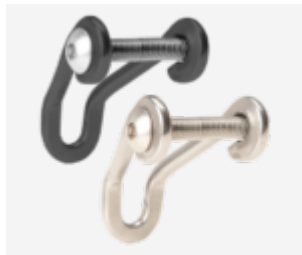
Standard plastic bracket



Handlebar bracket



RockShox paragon

Short stainless steel for
rigid fork, steel or blackSR Suntour Ver1, fork
bridge: CR8, NEX, NCX-ESR Suntour Ver2, fork
bridge: CR-9, NCX-DSR Suntour Ver3, fork
crown: NCX Mobie-E25, E45